

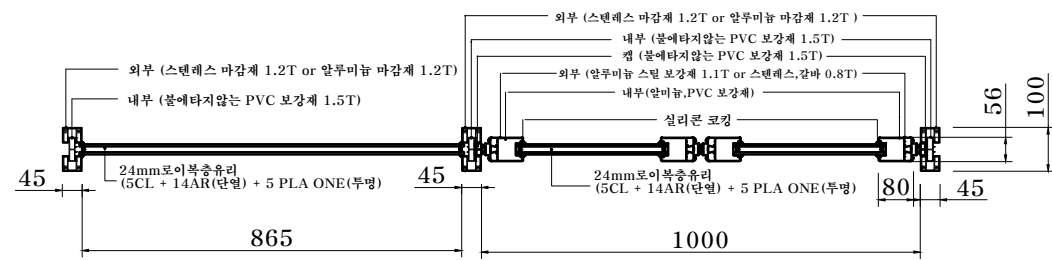
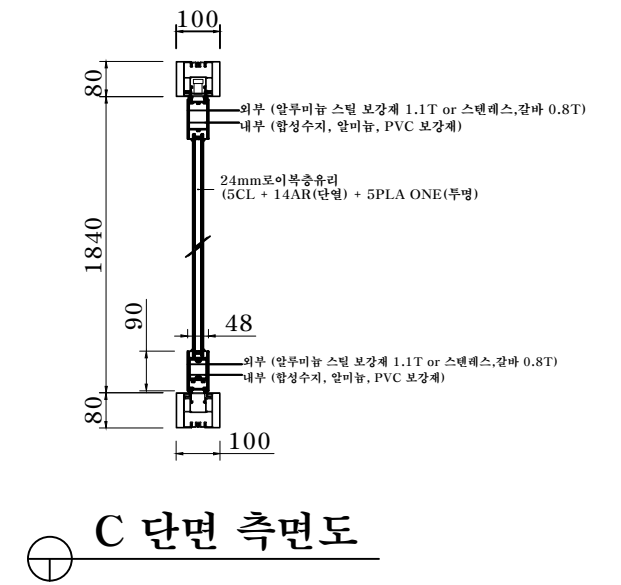
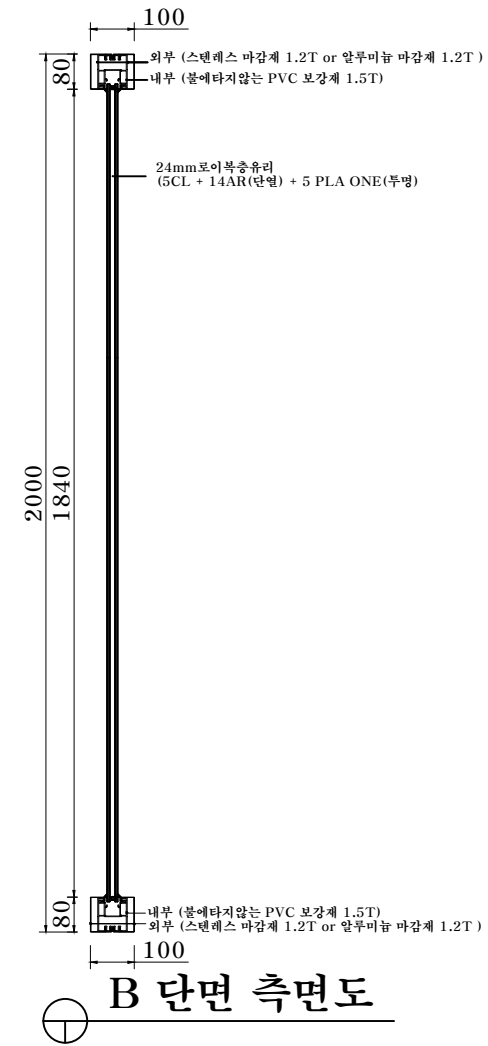
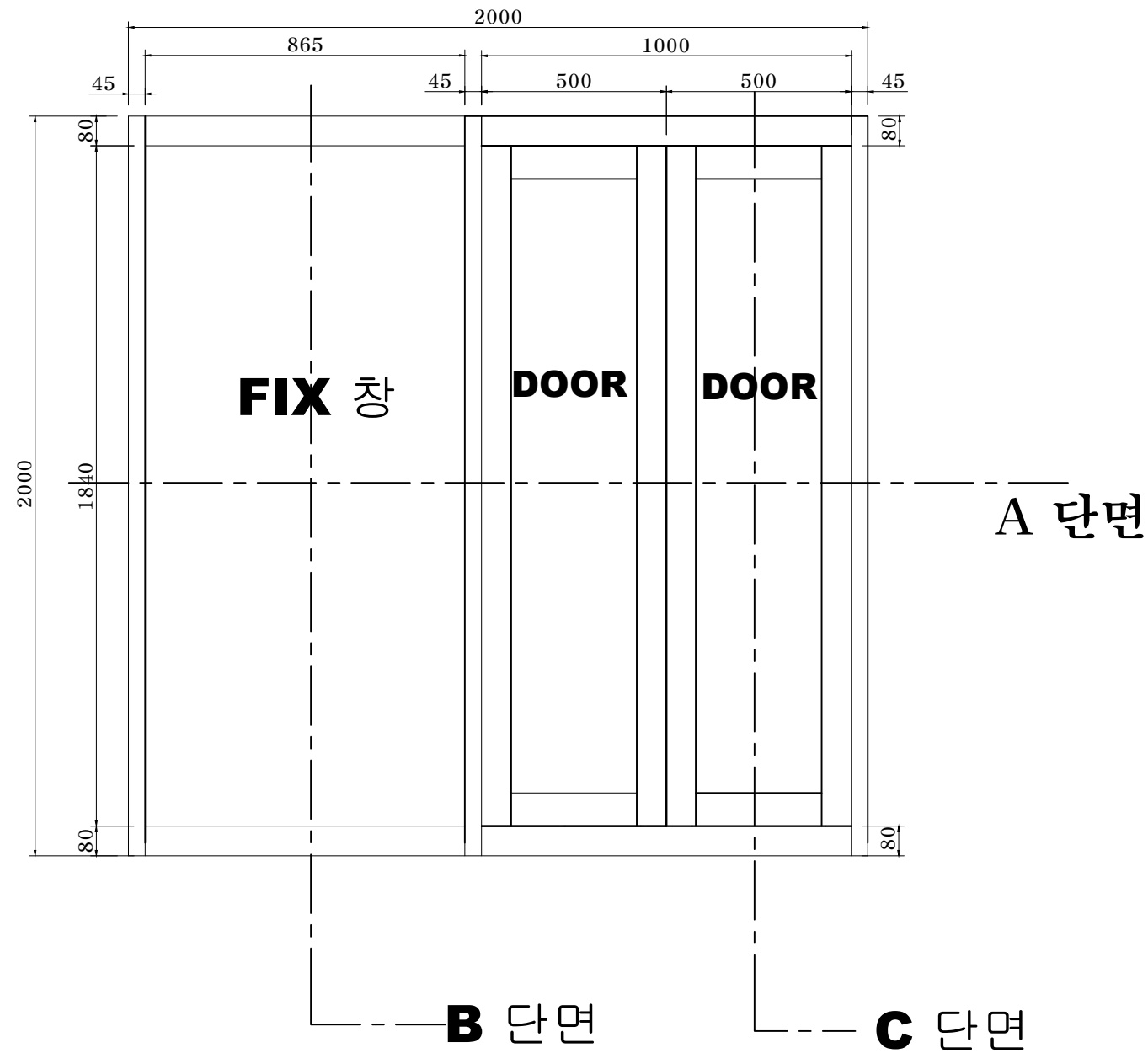
A 단면 평면도

단열프레임,세이프 외도어 입면도

DECIMAL DIMENSION TOLERANCE		GENERAL DIMENSION TOLERANCE		DESIGN	CHECK	APPR	TITLE
REF	RANGE	1 GRADE	2 GRADE	김겨용			단열세이프도어 24T 외도어
0.X	0.1	- 30	0.1				
0.XX	0.01	30 - 120	0.15				
0.XXX	0.001	120 - 315	0.2				
GENERAL FITTING PART		315 - 1000	0.3				
1) HOLE : FROM 0 TO +		1000 - 2000	0.5				
2) SHAFT : FROM 0 TO -		LOCATION DIMENSION + 1 GRADE					



DRAW NO, 2021-0329-1



A 단면 평면도

단열프레임,세이프 쌍도어 입면도

DECIMAL DIMENSION TOLERANCE		GENERAL DIMENSION TOLERANCE		DESIGN	CHECK	APPR	TITLE
REF	RANGE	1 GRADE	2 GRADE				
0.X	0.1	- 30	0.1				단열세이프도어 24T 쌍도어
0.XX	0.01	30 - 120	0.15				
0.XXX	0.001	120 - 315	0.2				
GENERAL FITTING PART		315 - 1000	0.3				
1) HOLE : FROM 0 TO +		1000 - 2000	0.5				DRAW NO, 2021-0401-01
2) SHAFT : FROM 0 TO -		LOCATION DIMENSION + 1 GRADE					

