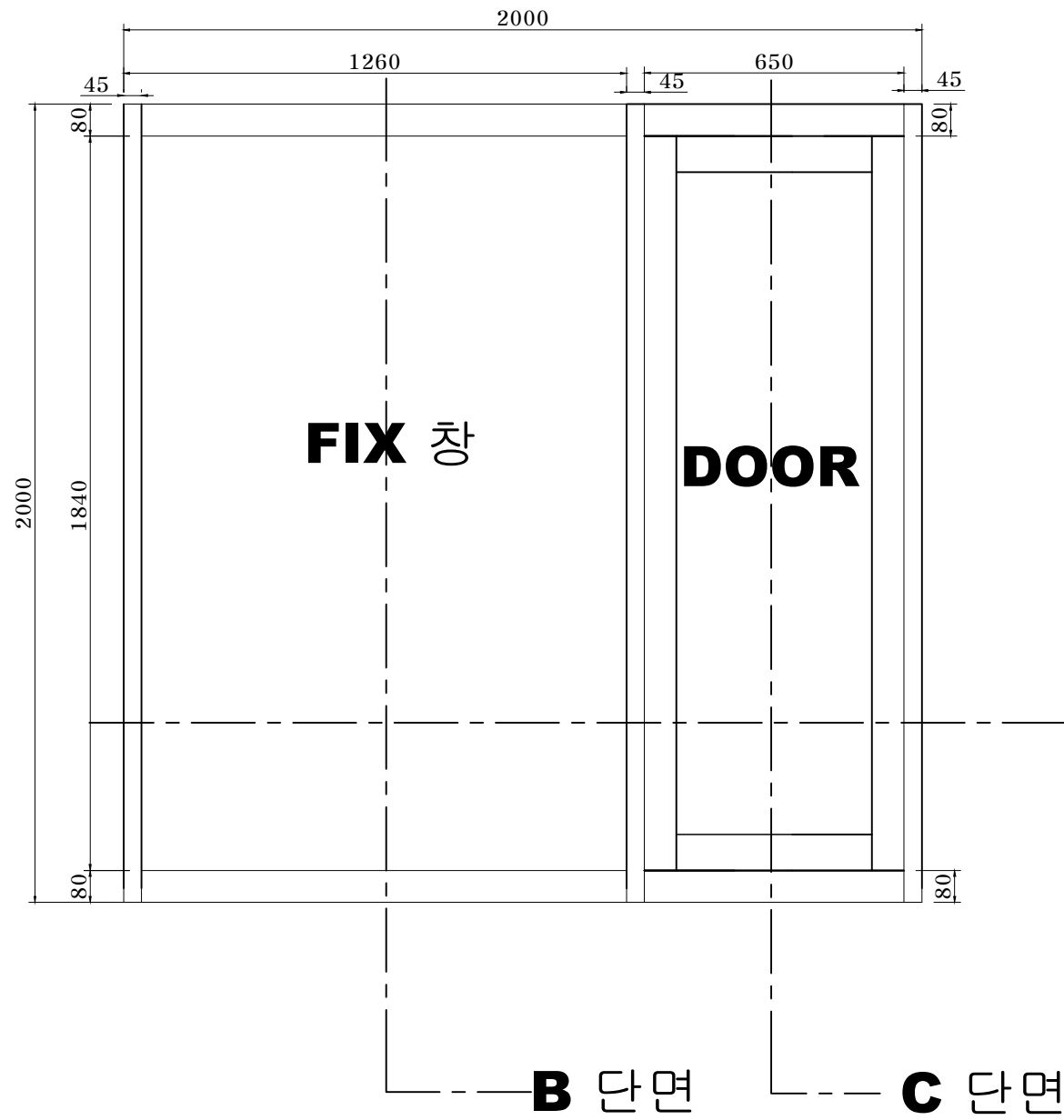


A 단면 평면도

단열프레임,세이프 쌍도어 입면도

DECIMAL DIMENSION TOLERANCE		GENERAL DIMENSION TOLERANCE		DESIGN	CHECK	APPR	TITLE
REF	TOLERANCE	RANGE	1 GRADE				
0.X	0.1	- 30	0.1	0.2			단열세이프도어 26T 쌍도어
0.XX	0.01	30 - 120	0.15	0.3			
0.XXX	0.001	120 - 315	0.2	0.5			
GENERAL FITTING PART		315 - 1000	0.3	0.8			
1) HOLE : FROM 0 TO +		1000 - 2000	0.5	1.2			DRAW NO, 2021-0401-3
2) SHAFT : FROM 0 TO -		LOCATION DIMENSION + 1 GRADE					

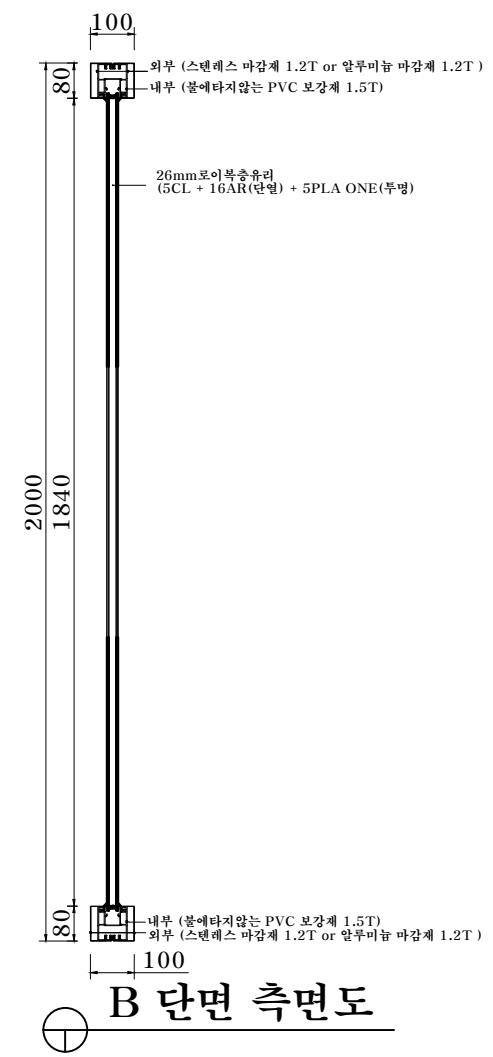




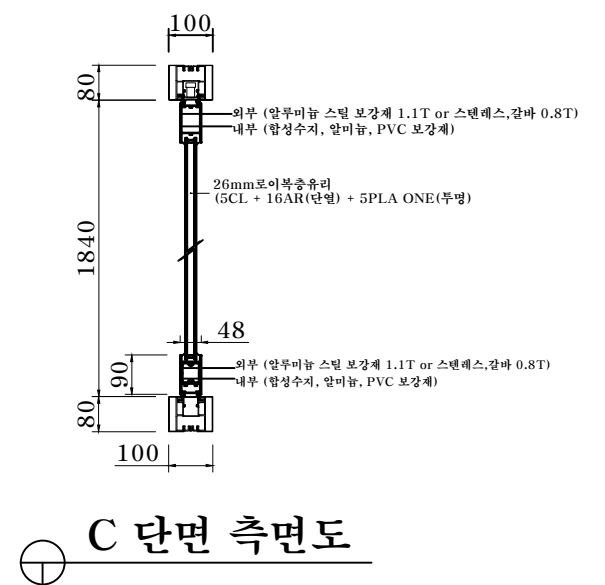
A 단면

B 단면

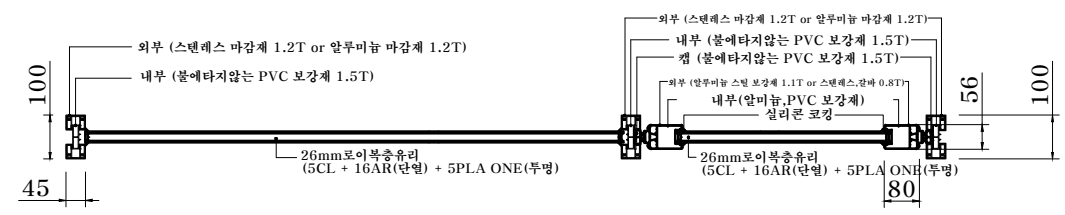
C 단면



B 단면 측면도




C 단면 측면도



A 단면 평면도

단열프레임,세이프 외도어 입면도

DECIMAL DIMENSION TOLERANCE		GENERAL DIMENSION TOLERANCE		DESIGN	CHECK	APPR	TITLE
REF	RANGE	1 GRADE	2 GRADE				
0.X	0.1	- 30	0.1	0.2	김겨용		단열세이프도어 26T 외도어
0.XX	0.01	30 - 120	0.15	0.3			
0.XXX	0.001	120 - 315	0.2	0.5			
GENERAL FITTING PART		315 - 1000	0.3	0.8			
1) HOLE : FROM 0 TO +		1000 - 2000	0.5	1.2		DRAW NO.	2021-0401-2
2) SHAFT : FROM 0 TO -		LOCATION DIMENSION : 1 GRADE					