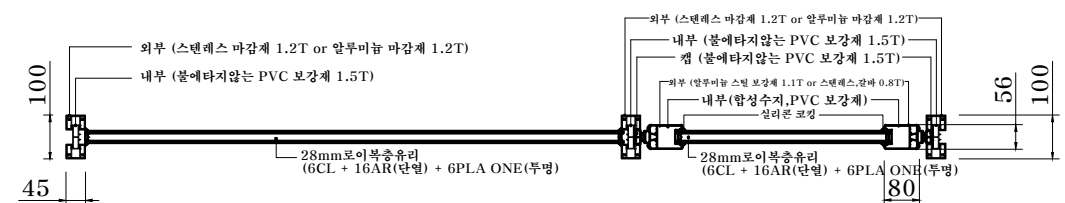
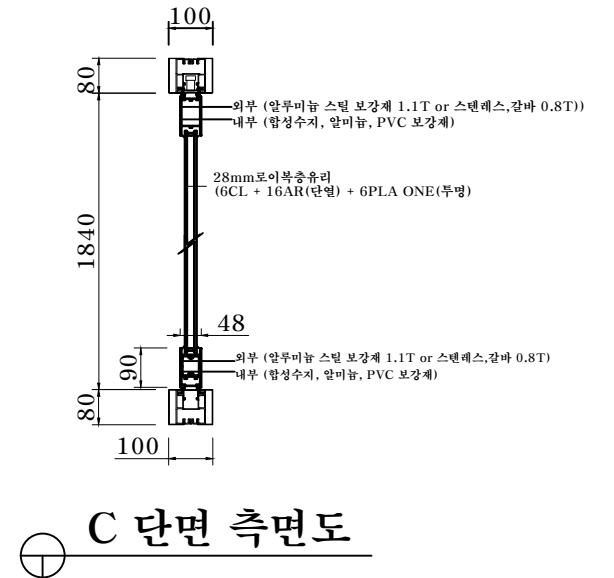
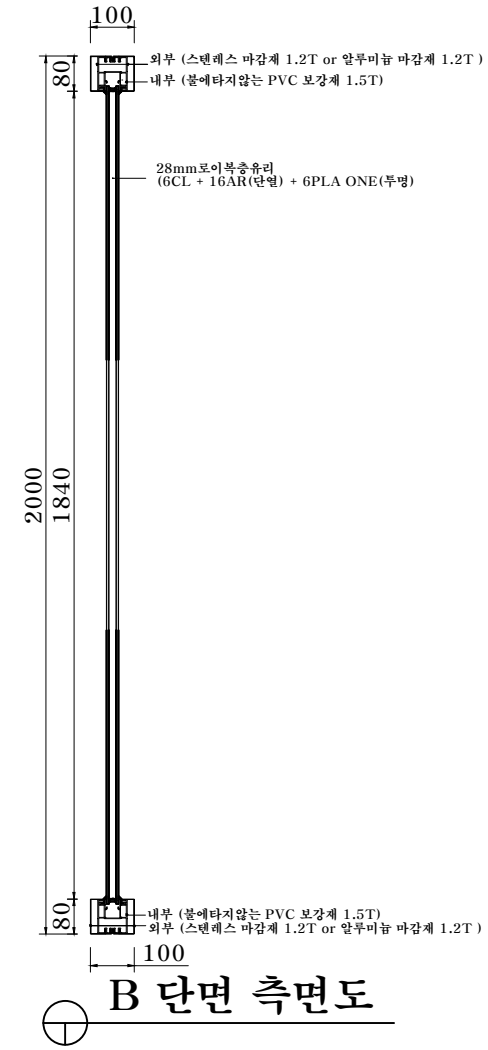
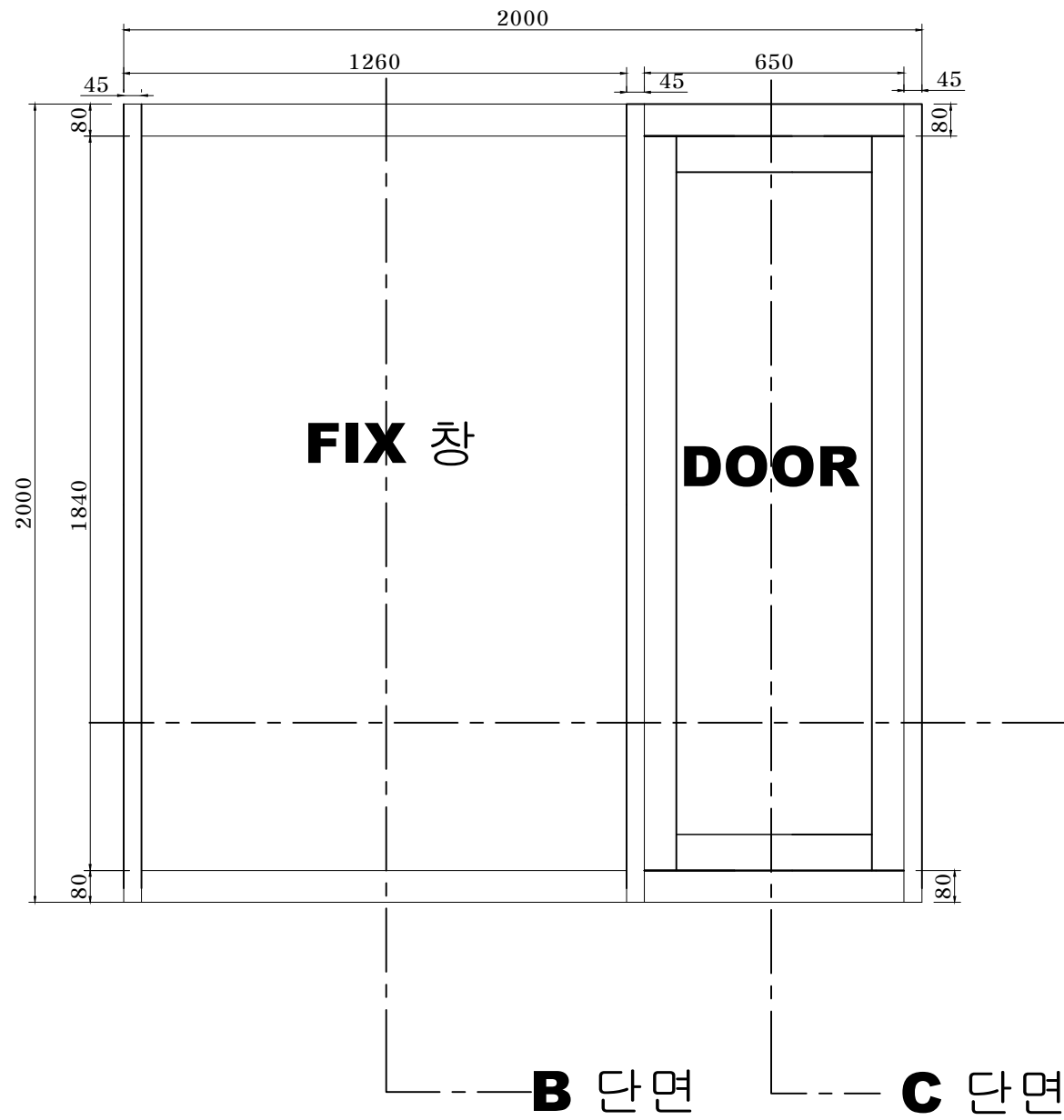


A 단면 평면도

단열프레임,세이프 쌍도어 입면도

DECIMAL DIMENSION TOLERANCE	GENERAL DIMENSION TOLERANCE		DESIGN	CHECK	APPR	TITLE
	RANGE	1 GRADE				
0.X	0.1	- 30	0.1	0.2		단열세이프도어 28T 쌍도어
0.XX	0.01	30 - 120	0.15	0.3		
0.XXX	0.001	120 - 315	0.2	0.5		
GENERAL FITTING PART		315 - 1000	0.3	0.8		
1) HOLE : FROM 0 TO +		1000 - 2000	0.5	1.2		DRAW NO, 2021-0401-5
2) SHAFT : FROM 0 TO -		LOCATION DIMENSION + 1 GRADE				





A 단면 평면도

단열프레임,세이프 외도어 입면도

DECIMAL DIMENSION TOLERANCE	GENERAL DIMENSION TOLERANCE		DESIGN	CHECK	APPR	TITLE
	RANGE	1 GRADE				
REF			김겨용			단열세이프도어 28T 외도어
0.X	0.1	- 30				
0.XX	0.01	30 - 120				
0.XXX	0.001	120 - 315				
GENERAL FITTING PART		315 - 1000	0.3	0.8		DRAW NO, 2021-0401-4
1) HOLE : FROM 0 TO +		1000 - 2000	0.5	1.2		
2) SHAFT : FROM 0 TO -		LOCATION DIMENSION	+ 1 GRADE			

